

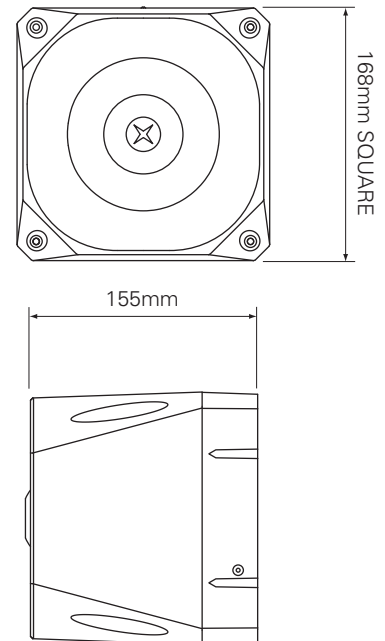
Asserta Maxi Sounder

The Asserta Maxi sounder is designed to cope in harsh environments and gives protection for water ingress IP66. Designed to ensure safer and easier installation, while providing flexibility with fewer product variants.



Technical Specification

Voltage	18 - 28Vdc / 115 - 230Vac
Current	110dB(A) - 105mA @ 24Vdc 120dB(A) - 450mA @ 24Vdc 110dB(A) - 40mA @ 230Vac 120dB(A) - 65mA @ 230Vac
Output	110dB(A) (Typical Tone 3) 120dB(A) (Typical Tone 3)
Tones	42
Alarm Stages	3
Volume Control	10dB(A)
Time Out	5 mins - 40 mins (user selectable)
Monitoring	Reverse polarity (dc version)
Temperature	- 25°C to + 70°C
Protection	IP66
Construction	ABS
Weight	1.6Kg (dc version) 2.5Kg (mains version)
Colour	Red or grey



Features

- Powerful 120dB(A) output
- 3 stage alarm and time out function
- 42 alarm tones
- Robust design with IP66 protection

Benefits

- Maximum sound output for high noise environments
- 3 levels of alarm for differing warning states
- Large range of tone options
- For demanding environments in non-hazardous areas

Reference

AS/S/115-230/R/110
AS/S/115-230/R/120
AS/S/115-230G/120
AS/S/24/110/R
AS/S/24/G/110
AS/S/24/120/R

Catalogue No.

7013114FUL-0013
7013124FUL-0014
7092274FUL-0151
7011114FUL-0011X
7011214FUL-0044
7011124FUL-0012X

Description

Asserta Sounder, 115/230Vac, Red, 110dB
Asserta Sounder, 115/230Vac, Red, 120dB
Asserta Sounder, 115/230Vac, Grey, 120dB
Asserta Sounder, 24Vdc, Red, 110dB
Asserta Sounder, 24Vdc, Grey, 110dB
Asserta Sounder, 24Vdc, Red, 120dB